

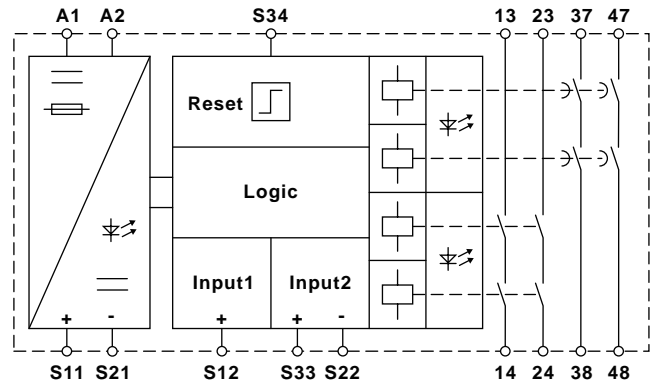
E-STOP, Safety gate, Safety light curtain input safety relay

NPFSR-K122YAMD

Input: E-STOP, Safety gate

Output: 2NO, non-delay + 2NO, d-delay

Functional Block Diagram



Performance level	PL _e , according to ISO 13849 ¹⁾ PL _d , according to ISO 13849 ²⁾
Category	Cat.4.328.4414 T _m (PL _d , according to ISO 13849)T _j 4.772671 318.2725
PTI (T _M)	
DC _{avg}	
MTTF _D	
CCF	
SIL	
SIL CL	
HFT	
SFF	
PFD _{avg} /PTI = 20 years	
PFH	
Stop Category	